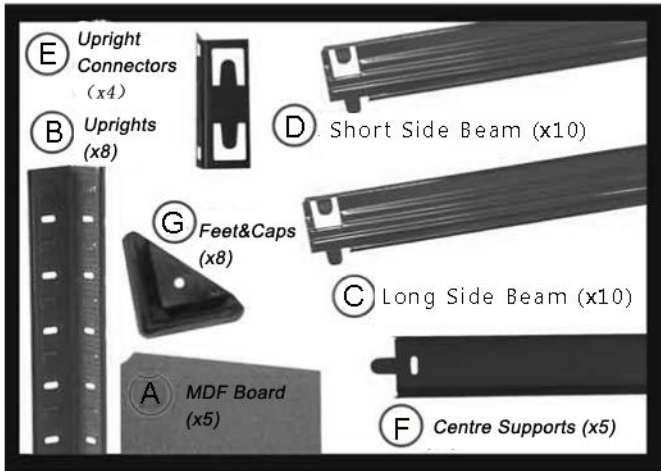


Assembly Instructions

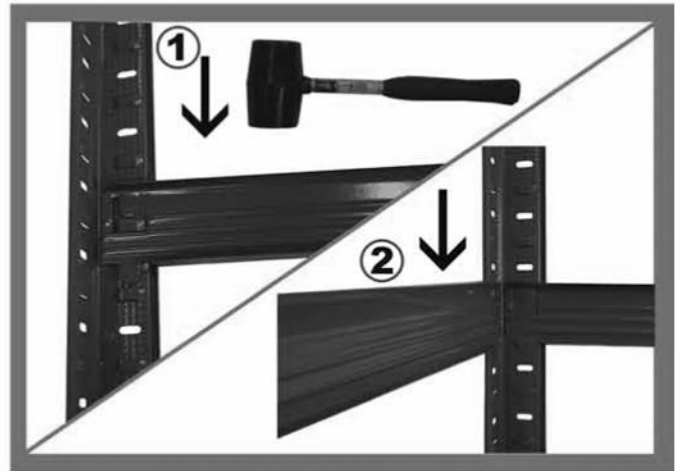
Advisory Notes:

For ease of assembly, please read through all instructions before commencing. We recommend wearing protective gloves and goggles when assembling.



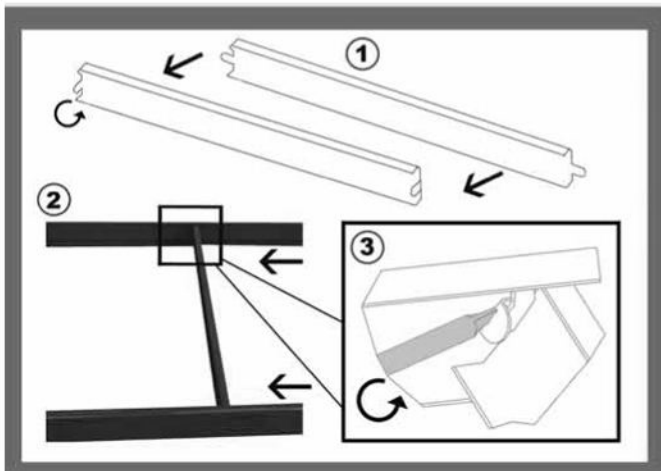
STEP 1

Check that all components are present.



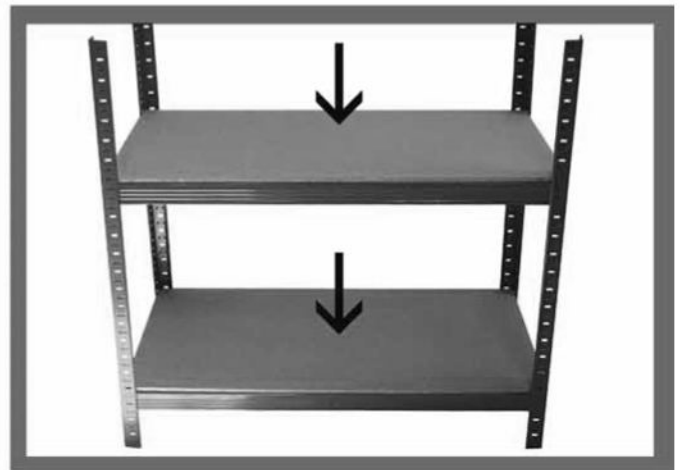
STEP 2

Use rubber mallet to tap in beams. Start from bottom shelf and work upwards. Please ensure that the bottom shelf is no more than 3 spaces up.



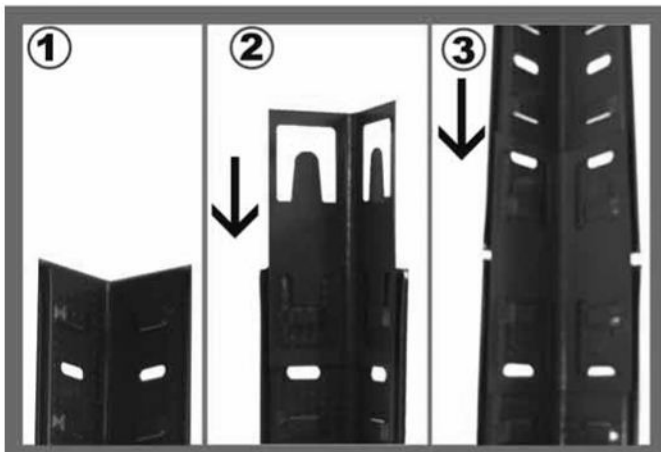
STEP 3

1. Bend tabs on centre support beam to 90 degrees. 2. Slide the support beam in place. 3. Use a screwdriver to bend tabs so the beam is secure.



STEP 4

Repeat step 2-4 for 2nd shelf and place the MDF boards on the beams.



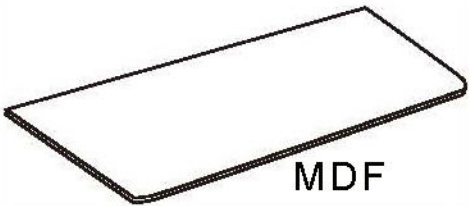
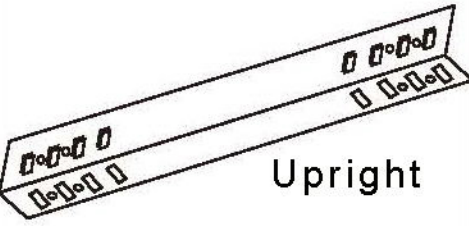

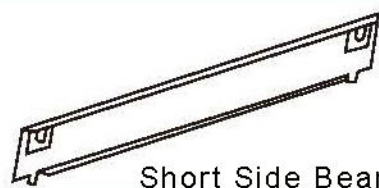
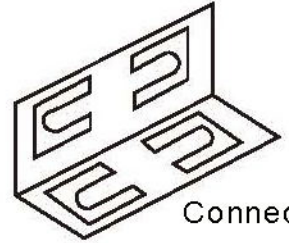

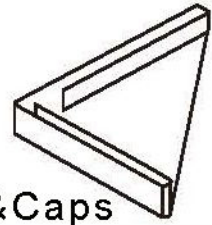
STEP 5

Attach connectors to uprights, tapping down gently with mallet.




STEP 6


Repeat steps 2-4 to assemble all shelves.


	Part List	QTY
A	 MDF	5
B	 Upright	8
C	 Long Side Beam	10
D	 Short Side Beam	10
E	 Connector	4
F	 Centre Support	5
G	 Feet&Caps	8

! **Caution**
During assembly:


 Take care when handling heavy items, particularly when lifting or stretching

 Wear appropriate safety clothing - protective gloves and footwear are recommended


 Build on a suitable level floor surface, which is strong enough to support the load


 Allow adequate working space and be aware of others working around you


 Dispose of packaging materials responsibly


 Take care when handling heavy items particularly when lifting or stretching

! **Warning**
Rules for safe use of shelving

 Not suitable for use in damp or wet environments.

 ENSURE THAT THE MAXIMUM LOAD CARRYING CAPACITIES ARE NOT EXCEEDED

 Shelves must be loaded evenly, and load heavier items on the bottom shelves

 Never climb or stand on the shelves.

TOOLS REQUIRED



RUBBER Mallet