

CHILDREN'S RIDE ON CAR OPERATION INSTRUCTIONS



Please read this manual in detail before using

"Abarth and the Scorpion" are trademarks of and licensed by the FCA Group Companies.

Owner's Manual with Assembly Instructions

Styles and colors may vary.

The owner's manual contains important safety information as well as assembly, use and maintenance instructions.

The Ride-on Car must be assembled by an adult who has read and understands the instructions in this manual.

Keep the package away from children and dispose of properly before use.

Keep this manual for future reference.

This product has two configurations, Installation process is same, but there are differences between the pictures, please understand.

About Your New Ride-On

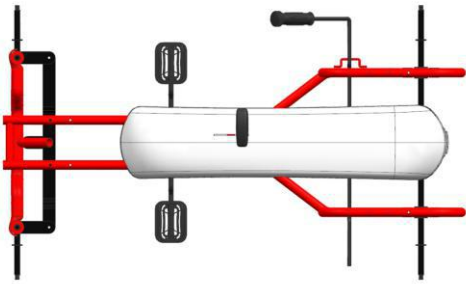
On the purchase of your new Ride-On.

This ride-on car will provide your child with many miles of riding of enjoyment. To help assure you and your rider a safe ride we ask you to please read this manual carefully, and keep it for future reference.

Follow the recommendations in this manual, they are designed to improve the safety and operation of your ride-on car and it's rider.

Suitable age	37-96Months	Battery	-----
Load capacity	25KGS	Size of car	1130*570*730MM
Speed	3-5km/h	Power way	-----
Charge	----- -	Average battery life	-----
Charge time	-----	Fuse	-----

Part List



Body*1



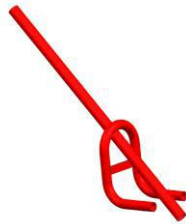
Seat*1



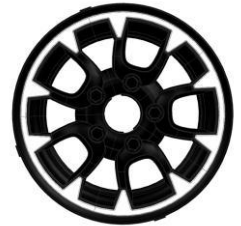
Front Panel*1



Steel parts*1



support rack *1



Hub*4



Steering Wheel*1



Wheel*4

Screw Packing



Ø12 gasket *8



Ø10 gasket*1



M5X45 screw *4



Plastic parts under steering *1



M10 Self-locking nut *4



M5 Self-locking nut *4



Wheel boss*4



cotter pin (type B) *1

Part Diagram



1 Seat	4 Front Panel	7 Hub Embellisher
2 Steering wheel	5 Wheel	8 Hub
3 Support rack	6 Wheel boss	9 Car Body

Tools Required



Screwdriver(not included)

Before You Begin Assembly

WARNING!

FOR THE SAFETY OF YOUR CHILD, PLEASE READ ALL WARNINGS AND ASSEMBLY/USE INSTRUCTIONS. KEEP THIS GUIDE FOR FUTURE REFERENCE.

- **ADULT ASSEMBLY REQUIRED.** The product contains small parts, which are for adult assembly only. Keep children away when assembling.
- Always remove protective material and poly bags and dispose before assembly.

- Assembly tools required:



**Screwdriver
(not included)**



**Long nose pliers
(not included)**

Assembly steps

Attention!

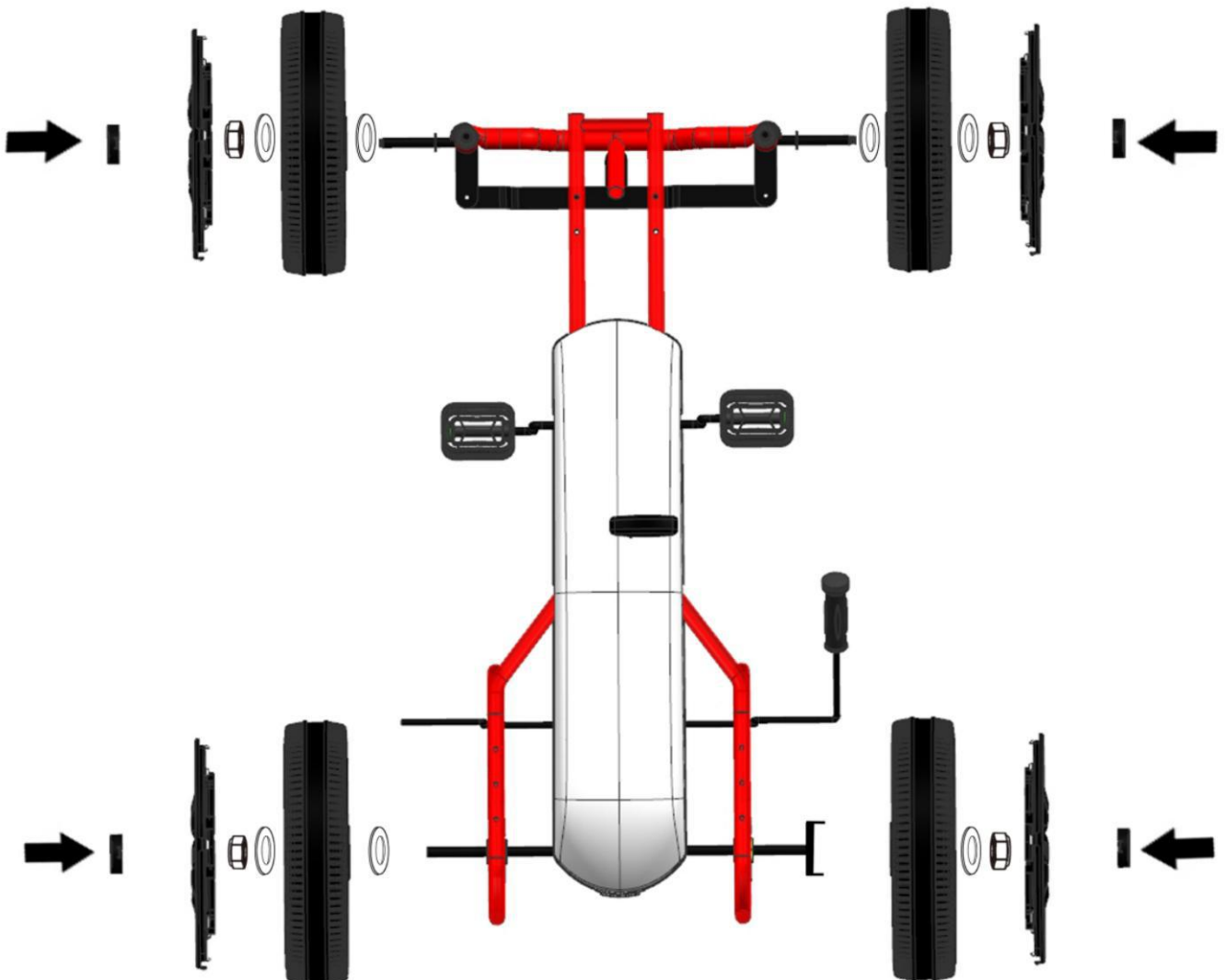
If your product with Rubber wheels or EVA wheels, please omit this step, and jump to the next step.

1. Assemble the Front wheel:

Firstly, please remove the front and rear axle shaft gear. And then add an $\varnothing 12$ gasket, fix the wheel into the axle, add gasket, and screw it with the (M10) self-locking nut. Finally, assemble the car's wheel.

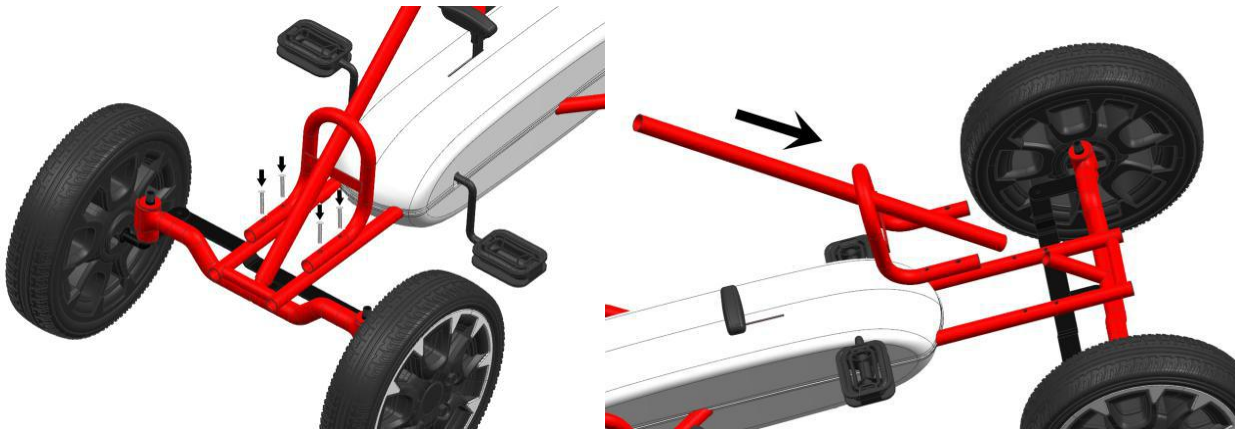
Assemble the driving wheel:

Please fasten the positioning on the inner side of the wheel and the iron sheet on the corresponding. Add the gasket, and screw it with the (M10) self-locking nut, add the wheel boss.



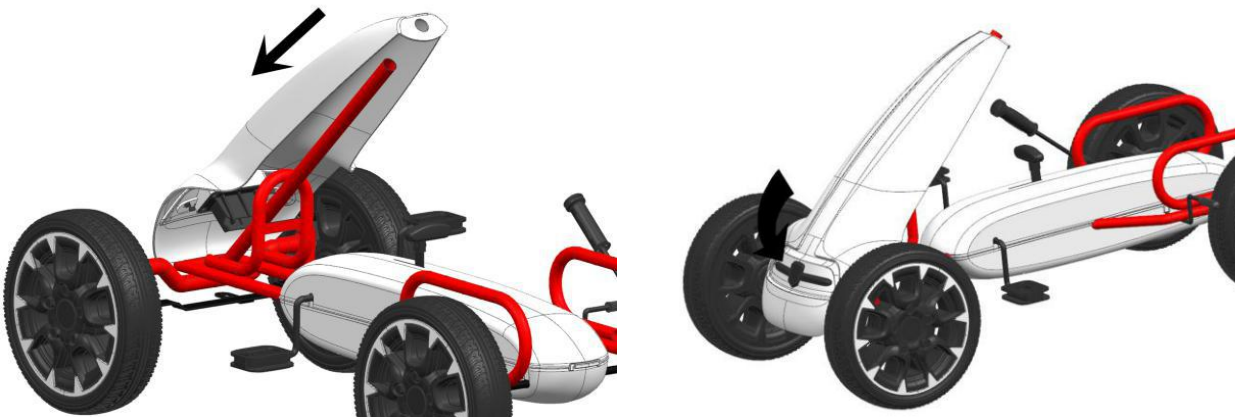
2. Assemble the panel support:

Please put the Ø22 panel support pipe in the Ø19 tube, Make sure the 4 hole on the support tube is aligned with 4 holes on the frame, and then install the screw (M5X45), and screw it with the (M5) self- locking nut.



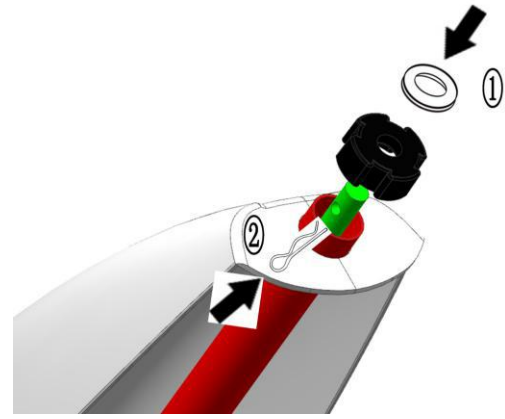
3. Assemble the panel:

Please insert the panel's upper hole into the bracket tube, and then force the fastener at the bottom of the panel on the front end of the tube (Ø16).



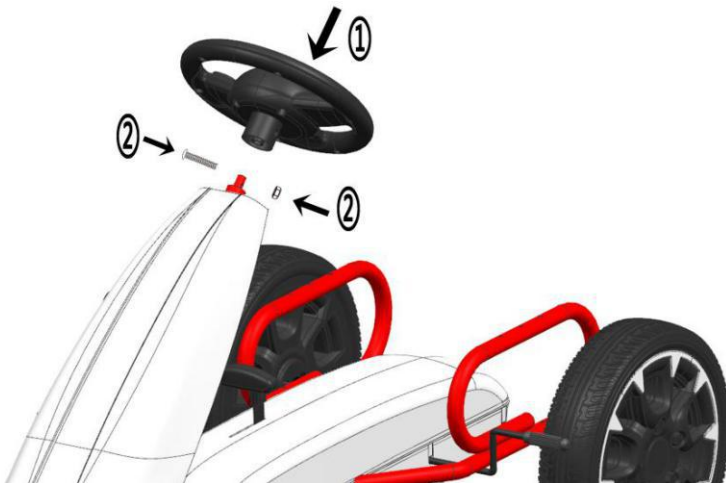
4. Assemble the Steering Rod

Please put the steering rod through the hole of the middle of the bottom of the tube, and then insert the lower end of the bolt, fix the small plastic parts into the top of the steering rod, plus the cotter pin. So that the direction will not fall off.



5、 Assemble the steering wheel:

Please insert the steering wheel into the steering rod, Make the hole on the steering wheel and direction of the rod hole, and then screw it with the (M5x35) self- locking nut.



6、 Assemble the Seat:

Please make the hole on the seat frame and the corresponding hole, and then screw it with the self- locking nut (M5x60).



Use Safety



WARNING!

PREVENT INJURIES AND DEATHS:

• **NEVER LEAVE CHILD UNATTENDED. DIRECT ADULT SUPERVISION IS REQUIRED.**

Always keep child in view when child is in vehicle.

- This toy should be used with caution since skill is required to avoid falls or collisions causing injury to the user or third parties.
- Protective equipment should be worn.
- Never use in roadways, near cars, on or near steep inclines or steps, swimming pools or other bodies of water.
- Always wear shoes.
- Always sit on the seat.
- Not to be used in traffic.
- This toy is unsuitable for children under 37 months due to its maximum speed; Maximum user weight is 25 kgs.
- This toy has no brake.

• Keep Children within Safe Riding Areas:

- Never use in roadway, near motor vehicles, on lawn space, on or near steep inclines or steps, swimming pools or other bodies of water;

- Use the toy only on flat surfaces. Such as inside your house, garden or playground.
- Never use in the dark. A child could encounter unexpected obstacles and have an accident.

Operate the vehicle only in the daytime or a well-lit area.

- Do not let any child touch the wheels or be near them when the car is moving.
- This vehicle has adjustable play seat belts. Please instruct children how to tie the safety belt before using, guarantee the security.



Use the vehicle on generally level ground ONLY!

DO NOT Use the vehicle on Lawn space!

Maintaining

- It is parents' responsibility to check main parts of the toy before using, Must regularly examine for potential hazard, such as screws are fastening enclosure of other parts and that in the event of such damage, the toy must not be used until that damage had been properly removed.
- Make sure the plastic parts of the vehicle are not cracked or broken.
- Occasionally use a lightweight oil to lubricate moving parts such as wheels.
- Park the vehicle indoors or cover it with a tarp to protect it from wet weather.
- Keep the vehicle away from sources of heat, such as stoves and heaters.

Plastic parts may melt.

- Clean the vehicle with a soft, dry cloth. To restore shine to plastic parts, use a non-wax furniture polish. Do not use car wax. Do not use abrasive cleaners.
- Do not drive the vehicle in loose dirt, sand or fine gravel which could damage the moving parts.

Our products are suitable for

ASTM F963; GB6675 and EN71 standard.